

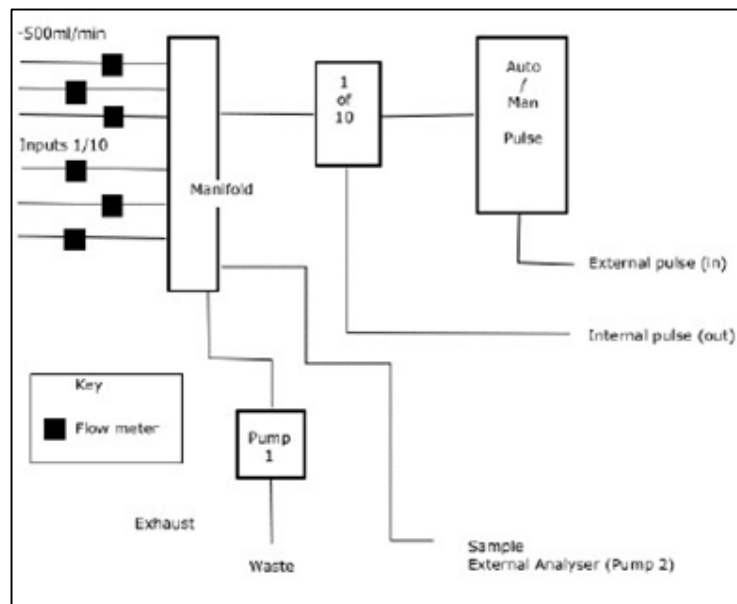


Gas Stream Selector Systems

Mounted within a 19" enclosure, a series of 3-way solenoid valves provides a multichannel selector system. A variety of selection systems is available. The standard system is 10-channel, however a variety of systems up to 24-channel have been provided.



Outline of the system:



An internal pump clears gas to the manifold in all channels. The flow meters on the front panel display the flow rate in each channel.

Generally, the sample pump of the monitoring system draws the gas from the sampled channel for analysis. However, an additional pump may be included to push the sample through a sensing system and a flow meter to monitor the flow to the sampler. A wide range of purpose-built combinations is available.